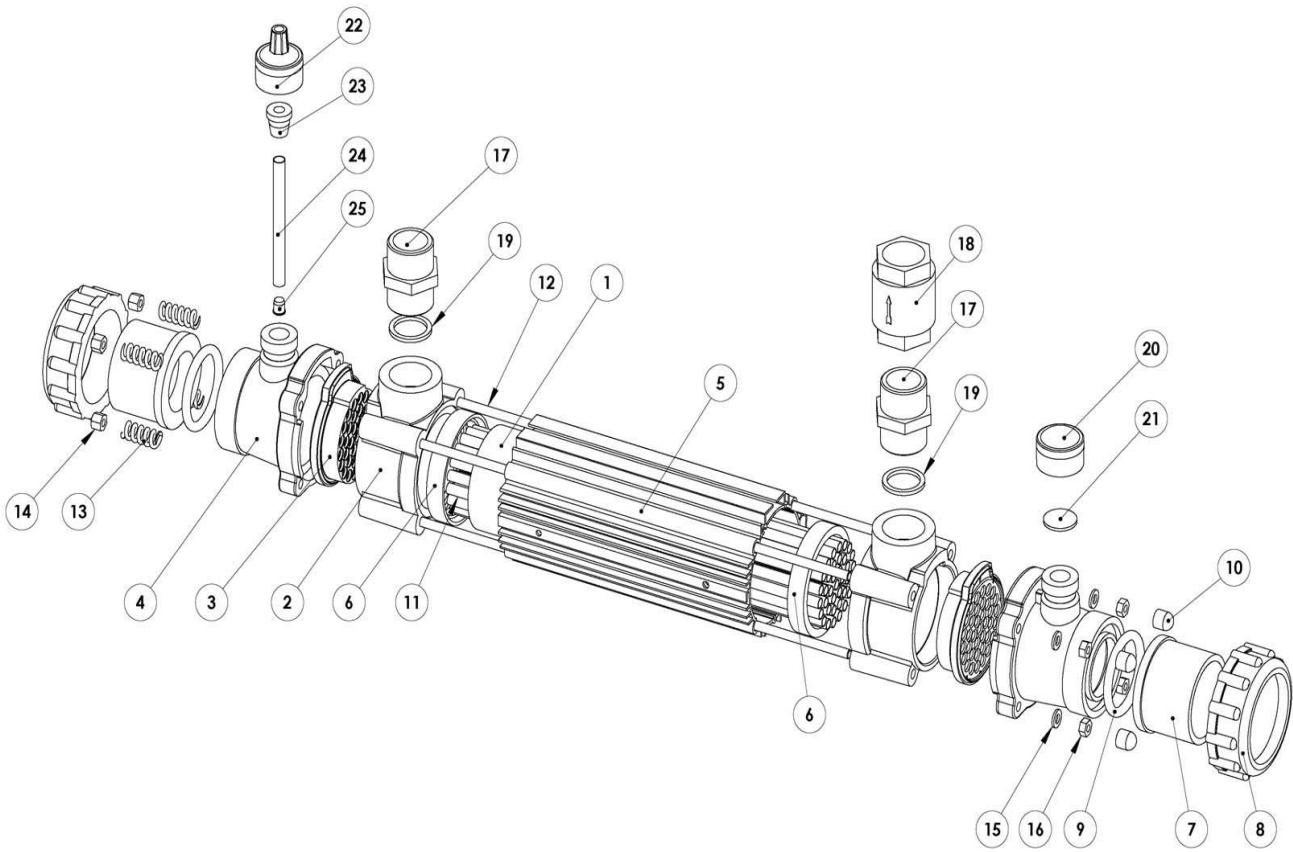


G2 Heat Exchanger

SPARE PART LISTS



G2 Heat Exchanger



Item No.:	Description:	Pcs/Unit:	Item Code				GBP RRP (£)			
			G2-HE-30T	G2-HE-49T	G2-HE-85T	G2-HE-122T	G2-HE-30T	G2-HE-49T	G2-HE-85T	G2-HE-122T
1	Flow Tube	1	X-TUB-G2HE-200	X-TUB-G2HE-370	X-TUB-G2HE-500	X-TUB-G2HE-660	80.05	89.20	120.30	135.20
2	Primary Connection Coupling	2	Z-IM-HE-PC				26.50			
3	Tube Sheet (pack of 2 pcs)	2	SP-HE-TS				32.45			
4	Secondary Connection Coupling	2	Z-IM-HE-SC				26.50			
5	G2 Insulating Shell	1	Z-SMW-HE-S-25	Z-SMW-HE-S-40	Z-SMW-HE-S-70	Z-SMW-HE-S-100	18.55	25.75	32.45	39.35
6	HNBR Flow Tube Gasket (pack of 2 pcs)	2	SP-HE-GSK				31.35			
7	Union Insert 1.5" / 50-mm	2	SP-119-HE				17.30			
8	2.25" Union Locking Nut									
9	Union O-Ring (pack of 2 pcs)	2	SP-119-ORS				8.10			
10	M6 Black Nut Cover	4	Z-HEC-TPC				1.35			
11	7-mm OD Titanium Tubes	37	Z-TUB-Ti7-J300	Z-TUB-Ti7-J470	Z-TUB-Ti7-J600	Z-TUB-Ti7-J760	8.40	13.00	16.50	19.75
12	M6 Tie Bar	4	Z-STU-368	Z-STU-538	Z-STU-668	Z-STU-828	8.65	10.80	11.90	13.00
13	Tension Spring	4	Z-HEC-SPRING				4.35			
14	M6 Cap Nut	4	Z-FIX-M6CAP				5.70			
15	M6 Flat Washer	4	Z-FIX-M6FW				5.70			
16	M6 Hex Nut	4	Z-FIX-M6HEX				5.70			
17	1" BSP Male / Male Brass Primary Nipple Connection	2	Z-HEC-1BSPMM				11.10			
18	1" BSP female / female Brass 1-Way Non-Return Valve	1	Z-HEC-1BSP0WV				20.00			
19	EPDM Primary Nipple Gasket Seal	2	Z-IM-HE-NS				2.15			
20	Blanking Cap	1	Z-IM-HE-BC				7.05			
21	24-mm Coin Gasket Seal	1	Z-HEC-CG				1.60			
22	Thermostat Connection Cap	1	Z-IM-HE-SPC				11.90			
23	EPDM Thermostat Pocket Ferrule	1	Z-IM-EL-FER				8.10			
24	8.5-mm OD Titanium Thermostat Pocket	1	Z-TUB-Ti8.5-90				8.10			
25	EPDM Thermostat Pocket Seal	1	Z-IM-GSK-BUNG				3.80			

Item No.:	Description:	Pcs/Unit:	G2-HE-30T	G2-HE-49T	G2-HE-85T	G2-HE-122T	EUR RRP (€)			
							G2-HE-30T	G2-HE-49T	G2-HE-85T	G2-HE-122T
1	Flow Tube	1	X-TUB-G2HE-200	X-TUB-G2HE-370	X-TUB-G2HE-500	X-TUB-G2HE-660	92.06	102.58	138.35	155.48
2	Primary Connection Coupling	2	Z-IM-HE-PC				30.48			
3	Tube Sheet (pack of 2 pcs)	2	SP-HE-TS				37.32			
4	Secondary Connection Coupling	2	Z-IM-HE-SC				30.48			
5	G2 Insulating Shell	1	Z-SMW-HE-S-25	Z-SMW-HE-S-40	Z-SMW-HE-S-70	Z-SMW-HE-S-100	21.33	29.61	37.32	45.25
6	HNBR Flow Tube Gasket (pack of 2 pcs)	2	SP-HE-GSK				36.05			
7	Union Insert 1.5" / 50-mm	2	SP-119-HE				19.90			
8	2.25" Union Locking Nut									
9	Union O-Ring (pack of 2 pcs)	2	SP-119-ORS				9.32			
10	M6 Black Nut Cover	4	Z-HEC-TPC				1.55			
11	7-mm OD Titanium Tubes	37	Z-TUB-Ti7-J300	Z-TUB-Ti7-J470	Z-TUB-Ti7-J600	Z-TUB-Ti7-J760	8.40	13.00	16.50	19.75
12	M6 Tie Bar	4	Z-STU-368	Z-STU-538	Z-STU-668	Z-STU-828	9.95	12.42	13.69	14.95
13	Tension Spring	4	Z-HEC-SPRING				5.00			
14	M6 Cap Nut	4	Z-FIX-M6CAP				6.56			
15	M6 Flat Washer	4	Z-FIX-M6FW				6.56			
16	M6 Hex Nut	4	Z-FIX-M6HEX				6.56			
17	1" BSP Male / Male Brass Primary Nipple Connection	2	Z-HEC-1BSPMM				12.77			
18	1" BSP female / female Brass 1-Way Non-Return Valve	1	Z-HEC-1BSP0WV				23.00			
19	EPDM Primary Nipple Gasket Seal	2	Z-IM-HE-NS				2.47			
20	Blanking Cap	1	Z-IM-HE-BC				8.11			
21	24-mm Coin Gasket Seal	1	Z-HEC-CG				1.84			
22	Thermostat Connection Cap	1	Z-IM-HE-SPC				13.68			
23	EPDM Thermostat Pocket Ferrule	1	Z-IM-EL-FER				9.32			
24	8.5-mm OD Titanium Thermostat Pocket	1	Z-TUB-Ti8.5-90				9.32			
25	EPDM Thermostat Pocket Seal	1	Z-IM-GSK-BUNG				4.37			

Item No.:	Description:	Pcs/Unit:	Item Code				USD RRP (\$)			
			G2-HE-30T	G2-HE-49T	G2-HE-85T	G2-HE-122T	G2-HE-30T	G2-HE-49T	G2-HE-85T	G2-HE-122T
1	Flow Tube	1	X-TUB-G2HE-200	X-TUB-G2HE-370	X-TUB-G2HE-500	X-TUB-G2HE-660	112.07	124.88	168.42	189.28
2	Primary Connection Coupling	2	Z-IM-HE-PC				37.10			
3	Tube Sheet (pack of 2 pcs)	2	SP-HE-TS				45.43			
4	Secondary Connection Coupling	2	Z-IM-HE-SC				37.10			
5	G2 Insulating Shell	1	Z-SMW-HE-S-25	Z-SMW-HE-S-40	Z-SMW-HE-S-70	Z-SMW-HE-S-100	25.97	36.05	45.43	55.09
6	HNBR Flow Tube Gasket (pack of 2 pcs)	2	SP-HE-GSK				43.89			
7	Union Insert 1.5" / 50-mm	2	SP-119-HE				24.22			
8	2.25" Union Locking Nut									
9	Union O-Ring (pack of 2 pcs)	2	SP-119-ORS				11.34			
10	M6 Black Nut Cover	4	Z-HEC-TPC				1.89			
11	7-mm OD Titanium Tubes	37	Z-TUB-Ti7-J300	Z-TUB-Ti7-J470	Z-TUB-Ti7-J600	Z-TUB-Ti7-J760	11.76	18.20	23.10	27.65
12	M6 Tie Bar	4	Z-STU-368	Z-STU-538	Z-STU-668	Z-STU-828	12.11	15.12	16.66	18.20
13	Tension Spring	4	Z-HEC-SPRING				6.09			
14	M6 Cap Nut	4	Z-FIX-M6CAP				7.98			
15	M6 Flat Washer	4	Z-FIX-M6FW				7.98			
16	M6 Hex Nut	4	Z-FIX-M6HEX				7.98			
17	1" BSP Male / Male Brass Primary Nipple Connection	2	Z-HEC-1BSPMM				15.54			
18	1" BSP female / female Brass 1-Way Non-Return Valve	1	Z-HEC-1BSPWV				28.00			
19	EPDM Primary Nipple Gasket Seal	2	Z-IM-HE-NS				3.01			
20	Blanking Cap	1	Z-IM-HE-BC				9.87			
21	24-mm Coin Gasket Seal	1	Z-HEC-CG				2.24			
22	Thermostat Connection Cap	1	Z-IM-HE-SPC				16.66			
23	EPDM Thermostat Pocket Ferrule	1	Z-IM-EL-FER				11.34			
24	8.5-mm OD Titanium Thermostat Pocket	1	Z-TUB-Ti8.5-90				11.34			
25	EPDM Thermostat Pocket Seal	1	Z-IM-GSK-BUNG				5.32			



Improving pools *globally*

11 Gunnels Wood Park, Gunnels Wood Road,
Stevenage, Hertfordshire, SG1 2BH, UK

Tel: +44 1438 749 474

Email: sales@elecra.co.uk

Web: www.elecra.co.uk

We reserve the right to change all or part of the features of the articles
or contents of this document, without prior notice.

SPL46-EN-G2 SPARE PARTS LIST V3-01.01.2023