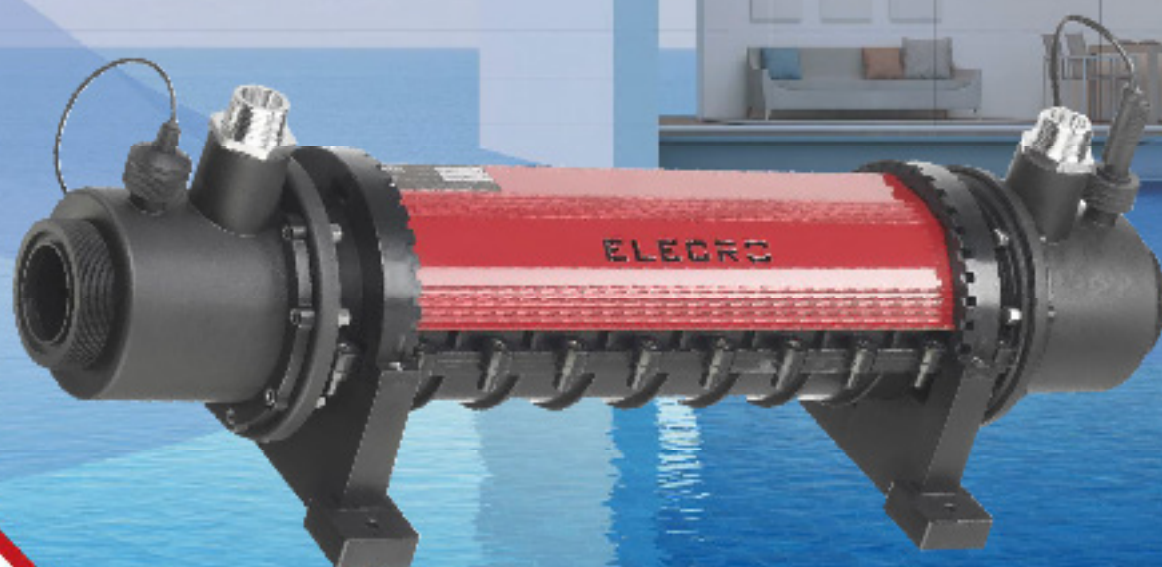


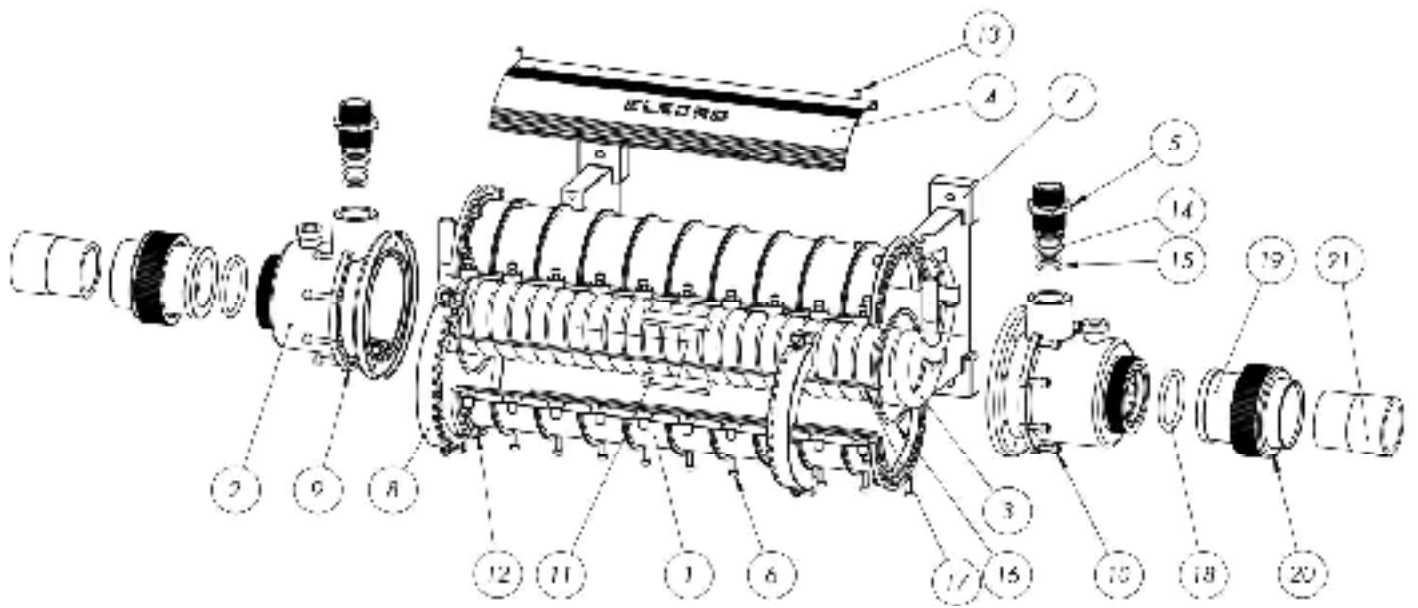
SST

SPARE PART LISTS



ELECRG
ENGINEERING

SST



| Item No.: | Description: | Pcs/Unit: | Product Code | | | | GBP RRP (£) | | | |
|-----------|---|--|---------------------|----------------------|---------------|---------------|--------------|--------|--------------|--------------|
| | | | SST-36 | SST-50 | SST-75 | SST-95 | SST-36 | SST-50 | SST-75 | SST-95 |
| 1 | 36-KW Spiral H/E Tank (Half) | 2 | Z-IM-SHE-T-36 | Z-IM-SHE-T-50 | Z-IM-SHE-T-75 | Z-IM-SHE-T-95 | 29.00 | 34.00 | 57.00 | 61.00 |
| 2 | Spiral H/E End Coupling | 2 | Z-IM-SHE-EC | | | | 35.00 | | | |
| 3 | 36-KW Titanium Spiral Tube Coil (Processed Ends) | 1 | X-SHE-ST-36 | X-SHE-ST-50 | X-SHE-ST-75 | X-SHE-ST-95 | 134.50 | 213.00 | 309.00 | 342.00 |
| 4 | 36-KW Spiral Heat Exchanger Extruded Shell | 1 | Z-SMW-SHE-36 | Z-SMW-SHE-50 | Z-SMW-SHE-75 | Z-SMW-SHE-95 | 21.00 | 23.75 | 28.00 | 30.25 |
| 5 | Spiral Heat Exchanger 316L S/S Nipple | 2 | Z-SHE-BN | | | | 21.50 | | | |
| 6 | M4.8x19-mm S/S Socket Cap Self Tapping Screw | 14 for SST-36; 18 for SST-50; 24 for SST-75; 30 for SST-95 | Z-FIX-M4.8X19STS-SC | | | | 5.25 | | | |
| 7 | Spiral H/E Front Bracket | 2 | Z-IM-SHE-FB | | | | 90.50 | | | |
| 8 | Spiral H/E Rear Bracket | 2 | Z-IM-SHE-RB | | | | 21.00 | | | |
| 9 | Spiral H/E Bolt Flange | 2 | Z-IM-SHE-BF | | | | 12.50 | | | |
| 10 | M6 x 22mm S/S Socket Cap | 18 | Z-FIX-M6X22-SC | | | | 5.25 | | | |
| 11 | Titanium Coil Heat Exchanger Rubber Dumper | 4 | Z-IM-SHE-RD | | | | 21.00 | | | |
| 12 | M6 S/S Cap Nut | 18 | Z-FIX-M6CAP | | | | 5.25 | | | |
| 13 | M3 x 8-mm Black Pozi Pan Screw | 2 | Z-FIX-M3X8-BLK | | | | 1.50 | | | |
| 14 | Plastic Heat Exchanger O-Ring Seal ID22.6mm C/s 3.6mm | 2 | Z-ORS-PHE-22.6MM | | | | 3.25 | | | |
| 15 | Plastic Heat Exchanger O-Ring Seal ID18.6mm C/s 3.6mm | 4 | Z-ORS-PHE-18.6MM | | | | 1.50 | | | |
| 16 | SST End Cap Gasket (EPDM) | 2 | Z-IM-GSK-SST-EC | | | | 7.50 | | | |
| 17 | SST Groove Gasket 700mm (EPDM) | 2 | Z-IM-GSK-SST-GG-700 | | | | 12.50 | | | |
| 18 | 56mm x 5.3mm Large Union O-Ring EPDM Shore 70 | 2 | Z-ORS-UNI-L | | | | 4.25 | | | |
| 19 | Universal 2" / 63-mm Socket For Big Union | 2 | Z-IM-UNI-2"/63 | U-IM-UNI-63-2-UV/SST | | | 90.00 | | 12.50 | |
| 20 | Big Union Nut | 2 | Z-IM-UNI-NUT | | | | 6.00 | | | |
| 21 | UV Union Reducer 50-mm / 1.5" | 2 | Z-IM-UV-R | | | | 4.50 | | | |

| Item No.: | Description: | Pcs/Unit: | Product Code | | | | EUR RRP (€) | | | |
|-----------|---|--|---------------------|----------------------|---------------|---------------|--------------|--------|--------------|--------|
| | | | SST-36 | SST-50 | SST-75 | SST-95 | SST-36 | SST-50 | SST-75 | SST-95 |
| 1 | 36-KW Spiral H/E Tank (Half) | 2 | Z-IM-SHE-T-36 | Z-IM-SHE-T-50 | Z-IM-SHE-T-75 | Z-IM-SHE-T-95 | 52.48 | 58.08 | 63.84 | 68.52 |
| 2 | Spiral H/E End Coupling | 2 | Z-IM-SHE-EC | | | | 39.20 | | | |
| 3 | 36-KW Titanium Spiral Tube Coil (Processed Ends) | 1 | X-SHE-ST-36 | X-SHE-ST-50 | X-SHE-ST-75 | X-SHE-ST-95 | 150.64 | 238.56 | 346.08 | 383.04 |
| 4 | 36-KW Spiral Heat Exchanger Extruded Shell | 1 | Z-SMW-SHE-36 | Z-SMW-SHE-50 | Z-SMW-SHE-75 | Z-SMW-SHE-95 | 23.52 | 26.60 | 31.96 | 33.88 |
| 5 | Spiral Heat Exchanger 316L S/S Nipple | 2 | Z-SHE-BN | | | | 24.08 | | | |
| 6 | M4.8x19-mm S/S Socket Cap Self Tapping Screw | 14 for SST-36; 18 for SST-50; 24 for SST-75; 30 for SST-95 | Z-FIX-M4.8X19STS-SC | | | | 5.88 | | | |
| 7 | Spiral H/E Front Bracket | 2 | Z-IM-SHE-FB | | | | 12.50 | | | |
| 8 | Spiral H/E Rear Bracket | 2 | Z-IM-SHE-RB | | | | 23.52 | | | |
| 9 | Spiral H/E Bolt Flange | 2 | Z-IM-SHE-BF | | | | 14.00 | | | |
| 10 | M6 x 22mm S/S Socket Cap | 18 | Z-FIX-M6X22-SC | | | | 5.88 | | | |
| 11 | Titanium Coil Heat Exchanger Rubber Dumper | 4 | Z-IM-SHE-RD | | | | 23.52 | | | |
| 12 | M6 S/S Cap Nut | 18 | Z-FIX-M6CAP | | | | 5.88 | | | |
| 13 | M3 x 8-mm Black Pozi Pan Screw | 2 | Z-FIX-M3X8-BLK | | | | 1.80 | | | |
| 14 | Plastic Heat Exchanger O-Ring Seal ID22.6mm C/s 3.6mm | 2 | Z-ORS-PHE-22.6MM | | | | 3.64 | | | |
| 15 | Plastic Heat Exchanger O-Ring Seal ID18.6mm C/s 3.6mm | 4 | Z-ORS-PHE-18.6MM | | | | 1.80 | | | |
| 16 | SST End Cap Gasket (EPDM) | 2 | Z-IM-GSK-SST-EC | | | | 8.40 | | | |
| 17 | SST Groove Gasket 700mm (EPDM) | 2 | Z-IM-GSK-SST-GG-700 | | | | 14.00 | | | |
| 18 | 56mm x 5.3mm Large Union O-Ring EPDM Shore 70 | 2 | Z-ORS-UNI-L | | | | 4.50 | | | |
| 19 | Universal 2" / 63-mm Socket For Big Union | 2 | Z-IM-UNI-2"/63 | U-IM-UNI-63-2-UV/SST | | | 12.50 | | 12.12 | |
| 20 | Big Union Nut | 2 | Z-IM-UNI-NUT | | | | 6.50 | | | |
| 21 | UV Union Reducer 50-mm / 1.5" | 2 | Z-IM-UV-R | | | | 4.50 | | | |

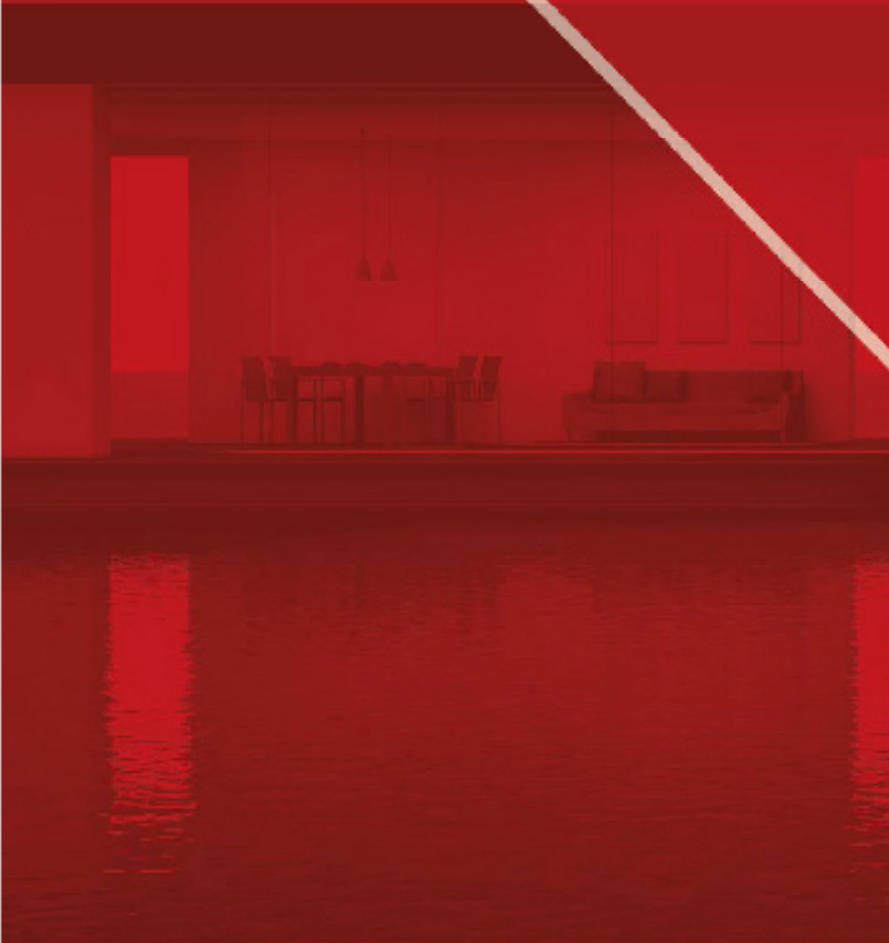
Improving pools *globally*

11 Gunnels Wood Park, Gunnels Wood Road,
Stevenage, Hertfordshire, SG1 2BH, UK

Tel: +44 1438 749 474

Email: sales@elecro.co.uk

Web: www.elecro.co.uk



We reserve the right to change all or part of the features of the articles
or contents of this document, without prior notice.

SPL196-EN-SST Spare Parts List V1-01.01.2020-Elecro
