

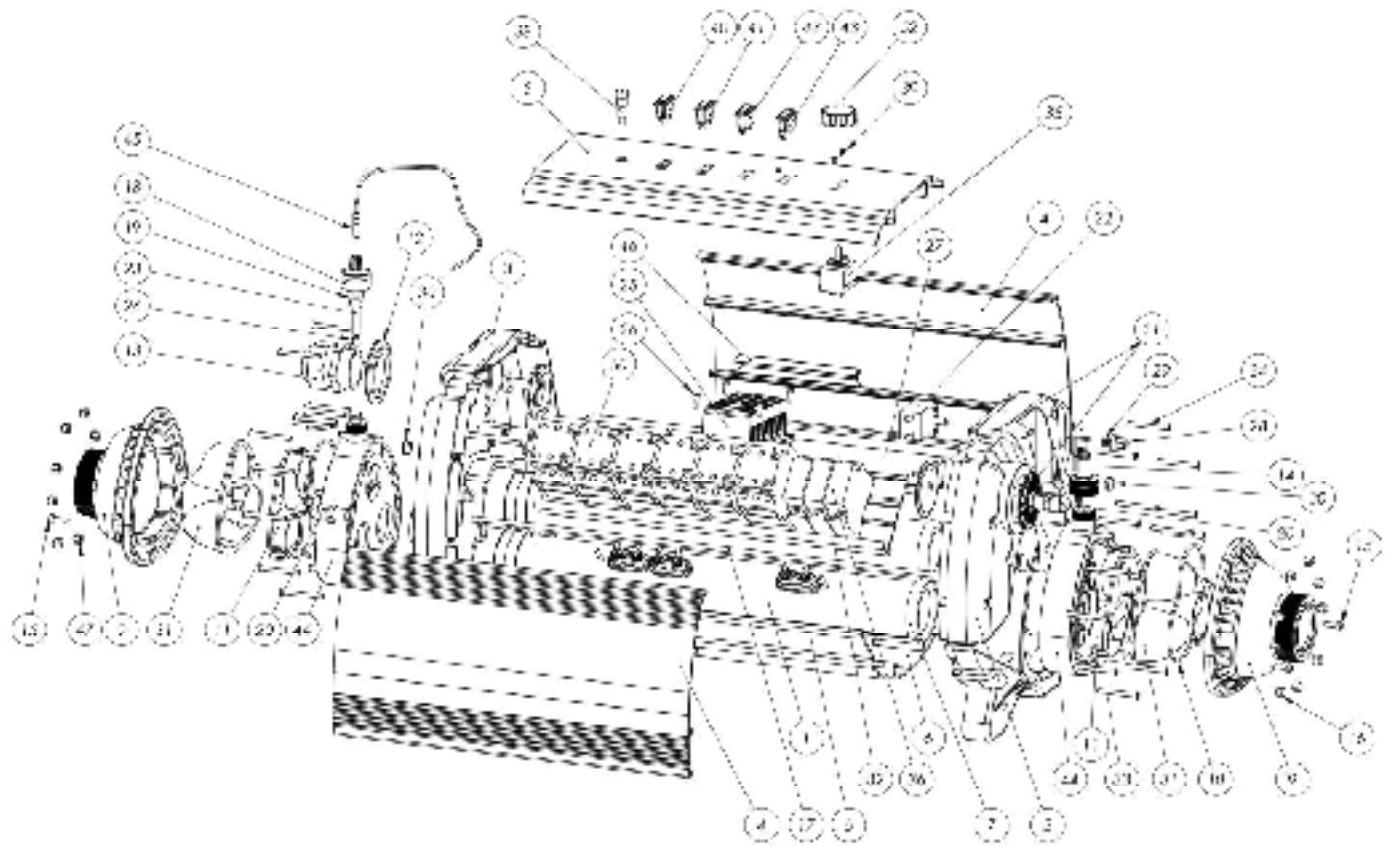
SFS Joey

SPARE PART LISTS



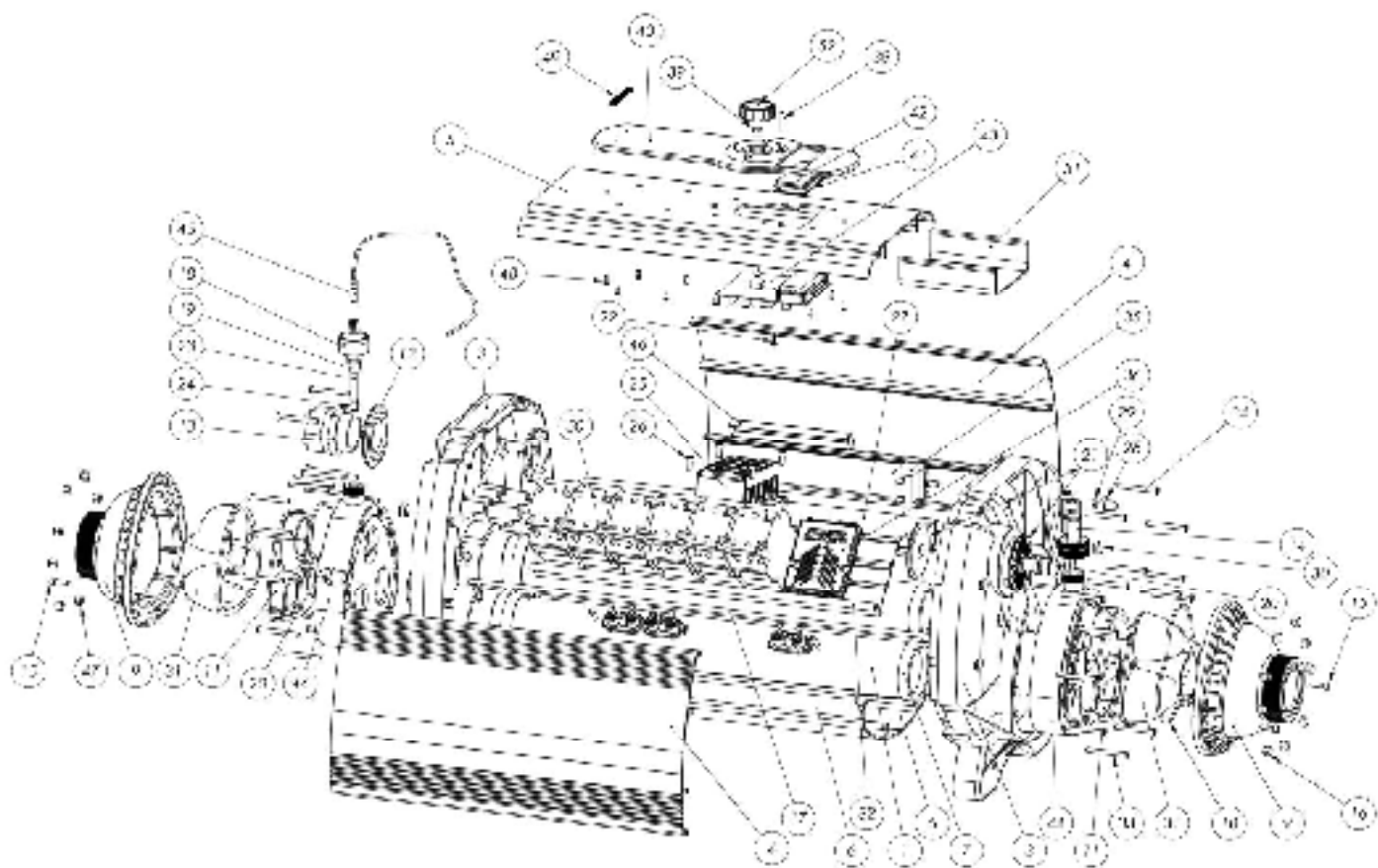
ELECRO
ENGINEERING

SFS Joey Analogue



Item No.:	Description:	Pcs/Unit:	Part Code:	GBP RRP (£)	EUR RRP (€)
1	Flow tube	3	See Tab. 3	-	-
3	End Panel	2	Z-IM-SFS-EP	76.50	85.68
4	Silver Side Panel Small	2	Z-SMW-SFS-SPS	58.75	65.8
	Silver Side Panel Large		Z-SMW-SFS-SPL	92.00	103.04
5	Top Panel Small	1	Z-SMW-SFS-TPS-A	63.00	70.56
	Top Panel Large		Z-SMW-SFS-TPL-A	93.50	104.72
6	Bottom Panel Small	2	Z-SMW-SFS-BPS	73.25	82.04
	Bottom Panel Large		Z-SMW-SFS-BPL	48.00	53.76
7	HNBR Flow Tube Gasket	6	SP-HE-GSK	14.50	16.24
9	Manifold Cover	2	Z-IM-SFS-MF-CVR	29.75	33.32
10	Manifold O-Ring	2	Z-ORS-MANI	8.50	9.52
11	Manifold SFS Insert B	2	Z-IM-SFS-INS-B	11.50	12.88
12	SFS PG36 Face Plate	1	Z-IM-SFS-PG36-FP	4.00	4.48
13	PG36 Cable Entry Gland With Back Nut	1	Z-CON-PG36BK + Z-CON-PG36NUT	13.50	15.12
	PG48 Cable Entry Gland With Back Nut		Z-CON-PG48BK + Z-CON-PG48NUT	22.25	24.92
14	Flow Switch	1	SP-107-D	38.75	43.40
15	M4.8x 19-mm S/S Socket Cap Screw	4	Q-FIX-M4.8X19STS-SC	5.25	5.88
16	M6 Cap Nut	9	Z-FIX-M6CAP	5.25	5.88
17	M6 Tie Bar Small	9	Z-STU-604	11.00	12.32
	M6 Tie Bar Large		Z-STU-947	12.00	13.44
18	Thermostat Pocket Cap	1	Z-IM-HE-SPC	11.00	12.32
19	EPDM Ferrule	1	Z-IM-EL-FER	7.50	8.40
20	PG9 Cable Entry Gland With Back Nut	2	Q-CON-PG9BK	7.50	8.40
21	PG9 Face Plate	2	Z-IM-SFS-PG9-FP	4.50	5.04
22	Safety Thermal Cut Out		SP-MIS-HLS	46.50	52.08
23	8.5-mm OD Titanium Thermostat Pocket	1	Z-TUB-TBLS-90	7.25	8.12
24	EPDM Thermostat Pocket Seal	1	Z-IM-GSK-BUNG	3.50	3.92
25	Terminal Block	1	U-TB-230A	126.75	141.96
26	M5 x 10-mm Terminal Block Fixing Set	4	Z-FIX-MSX10SC + Z-FIX-MSHEX + Z-FIX-M5LW	15.75	17.64
27	Terminal Block Cross Rail Small	1	Z-SMW-C-CRS-TB	26.50	29.68
	Terminal Block Cross Rail Large		Z-SMW-C-CRL-TB	60.50	67.76
28	Thermal Cut Out Cover (Black)	1	Z-MIS-HLS-CVR	7.25	8.12
29	Thermal Cut Out Nut M8	1	Supplied with no.22	-	-
30	PG9 Blanking Cover	2	Q-CON-PG9OBC	7.25	8.12
31	Manifold SFS Insert A	2	Z-IM-SFS-INS-A	13.50	15.12
32	DIN Rail Cross Rail Small	1	Z-SMW-C-CRS	29.60	26.43
	DIN Rail Cross Rail Large		Z-SMW-C-CRL	38.30	42.90
33	M5 x 50-mm S/S CSK Socket Cap	16	Q-FIX-MSX50CS-SC	5.25	5.88
34	M5 x 50-mm S/S CSK Pool Drive	4	Q-FIX-MSX50CS-PD	5.25	5.88
35	Analogue Control Thermostat	1	SP-MIS-CS	46.50	52.08
36	OMRON Delay Timer	2, 3, 5	See Tab.4	-	-
38	Fuse Holder	1	Z-MIS-FH	11.00	12.32
39	M4x6mm Screw	2	Q-FIX-M4-6CS	1.50	1.68
40	Over temp. Indicator	1	Z-MIS-NEON-AMB	11.00	12.32
41	No/Low Flow Indicator	1	Z-MIS-NEON-CLR	11.00	12.32
42	Heater On Indicator	1	Z-MIS-NEON-RED	11.00	12.32
43	Power Indicator	1	Z-MIS-NEON-CLR	11.00	12.32
44	SFS Manifold	1	Z-IM-SFS-MF	33.25	37.24
45	NTC Temperature Sensor	1	U-NTC-EP	37.25	41.72
46	Capillary Bulb Holder	1	X-SMW-HLS-CBH	7.25	8.12
47	M6 S/S Full Hex Nut	9	Q-FIX-M6HEX	5.25	5.88
50	SIEMENS Contactor	4, 6, 8, 10	See Tab.5	-	-
52	Control Thermostat Dial	1	Z-IM-OC-ANA	7.50	8.40

SFS Joey Digital



Item No.:	Description:	Pcs/Unit:	Part Code:	GSP RRP (€)	EUR RRP (€)
1	Flow tube	3	See Tab. 3	-	-
3	End Panel	2	Z-IM-SFS-EP	76.50	85.68
4	Silver Side Panel Small	2	Z-SMW-SFS-SPS	58.75	65.80
	Silver Side Panel Large		Z-SMW-SFS-SPL	92.00	103.04
5	Top Panel Small	1	Z-SMW-SFS-TPS	63.00	70.56
	Top Panel Large		Z-SMW-SFS-TPL	99.50	104.72
6	Bottom Panel Small	2	Z-SMW-SFS-BPS	73.25	82.04
	Bottom Panel Large		Z-SMW-SFS-BPL	48.00	53.76
7	HNBR Flow Tube Gasket	6	SP-HE-GSK	14.50	16.24
9	Manifold Cover	2	Z-IM-SFS-MF-CVR	29.75	33.32
10	Manifold O-Ring	2	Z-ORS-MANI	8.50	9.52
11	Manifold SFS Insert B	2	Z-IM-SFS-INS-B	11.50	12.88
12	SFS PG36 Face Plate	1	Z-IM-SFS-PG36-FP	4.00	4.48
13	PG36 Cable Entry Gland With Back Nut	1	Z-CON-PG36BK + Z-CON-PG36NUT	13.50	15.12
	PG48 Cable Entry Gland With Back Nut		Z-CON-PG48BK + Z-CON-PG48NUT	22.25	24.92
14	Flow Switch	1	SP-107-D	38.75	43.40
15	M4.8x 19-mm S/S Socket Cap Screw	4	Q-FIX-M4.8X19STS-SC	5.25	5.88
16	M6 Cap Nut	9	Z-FIX-M6CAP	5.25	5.88
17	M6 Tie Bar Small	9	Z-STU-604	11.00	12.32
	M6 Tie Bar Large		Z-STU-947	12.00	13.44
18	Thermostat Pocket Cap	1	Z-IM-HE-SPC	11.00	12.32
19	EPDM Ferrule	1	Z-IM-EL-FER	7.50	8.40
20	PG9 Cable Entry Gland With Back Nut	2	Q-CON-PG9BK	7.50	8.40
21	PG9 Face Plate	2	Z-IM-SFS-PG9-FP	4.50	5.04
22	Z-FIX-M4X14	1	M4 x 14-mm S/S Pool Pan Screw	1.50	1.68
23	8.5-mm OD Titanium Thermostat Pocket	1	Z-TUB-TI8.5-90	7.25	8.12
24	EPDM Thermostat Pocket Seal	1	Z-IM-GSK-BUNG	3.50	3.92
25	Terminal Block	1	U-TB-230A	126.75	141.96
26	M5 x 10-mm Terminal Block Rtdng Set	4	Z-FIX-MSX10SC + Z-FIX-M5HEX + Z-FIX-M5LW	15.75	17.64
27	Terminal Block Cross Rail Small	1	Z-SMW-C-CRS-TB	26.50	29.68
	Terminal Block Cross Rail Large		Z-SMW-C-CRL-TB	60.50	67.76
28	Thermal Cut Out Cover (Black)	1	Z-MIS-HLS-CVR	7.25	8.12
29	Thermal Cut Out Nut M8	1	Supplied with no.35	-	-
30	PG9 Blanking Cover	2	Q-CON-PG9D6C	7.25	8.12
31	Manifold SFS Insert A	2	Z-IM-SFS-INS-A	13.50	15.12
32	DIN Rail Cross Rail Small	1	Z-SMW-C-CRS	23.60	26.43
	DIN Rail Cross Rail Large		Z-SMW-C-CRL	38.30	42.90
33	M5 x 50-mm S/S CSK Socket Cap	16	Q-FIX-MSX50CS-SC	5.25	5.88
34	M5 x 50-mm S/S CSK Pool Drive	4	Q-FIX-MSX50CS-PD	5.25	5.88
35	Safety Thermal Cut Out (Manual Reset)	1	SP-MIS-HLS	46.50	52.08
36	Delay Timer up to 72KW	1	U-SFS-DT-3	88.50	99.12
	Delay Timer up to 96KW & 120KW	1	U-SFS-DT-5	118.00	132.36
38	Light Pole	1	Z-MIS-EVO2-LP	3.50	3.92
39	Encoder Nut	1	Supplied with no.43	-	-
40	Top cover panel	1	Z-IM-SFS-TCP	17.50	19.60
41	SFS Window Gasket	1	Z-F-SFS-W	2.50	2.80
42	SFS Window	1	Z-IM-SFS-W	5.50	6.16
43	PCB Digital Thermostat	1	Z-PCB-BUD	150.75	168.84
44	SFS Manifold	1	Z-IM-SFS-MF	33.25	37.24
45	NTC Temperature Sensor	1	Z-MIS-NTC-1000	30.75	34.44
46	Capillary Bulb Holder	1	X-SMW-HLS-CBH	7.25	8.12
47	M6 S/S Full Hex Nut	9	Q-FIX-M6HEX	5.25	5.88
48	M3 x 12-mm FLG Pool Zinc Coated	12	Z-FIX-M3X12-FLG	1.50	1.68
49	ELECRO Diamond Cut Aluminium Badge	1	Z-MB-ELE	4.50	5.04
50	SIEMENS Contactor	4, 6, 8, 30	See Tab.5	-	-
51	PCB Cover	1	Z-SMW-SFS-PCB	11.50	12.88
52	Encoder Dial	1	Z-IM-OC-ANA	7.50	8.40

Table 1. Replacement tank assemblies

380-440V 3-Phase Power Output:	Titanium Flow Tube with Titanium Heating Element Part Code:	GBP RRP (£)	EUR RRP (€)	Description:
20-kW	SP-TA-CP-500-6	380.75	370.44	6-kW 500-mm Replacement Tank Assembly 400V
	SP-TA-CP-500-6-380	380.75	370.44	6-kW 500-mm Replacement Tank Assembly 380V
	SP-TA-CP-500-6-415	380.75	370.44	6-kW 500-mm Replacement Tank Assembly 415V
24-kW	SP-TA-CP-500-8	342.75	383.88	8-kW 500-mm Replacement Tank Assembly 400V
	SP-TA-CP-500-8-380	342.75	383.88	8-kW 500-mm Replacement Tank Assembly 380V
	SP-TA-CP-500-8-415	342.75	383.88	8-kW 500-mm Replacement Tank Assembly 415V
30-kW	SP-TA-CP-500-10	348.50	390.32	10-kW 500-mm Replacement Tank Assembly 400V
	SP-TA-CP-500-10-380	348.50	390.32	10-kW 500-mm Replacement Tank Assembly 380V
	SP-TA-CP-500-10-415	348.50	390.32	10-kW 500-mm Replacement Tank Assembly 415V
36-kW	SP-TA-CP-500-12	353.00	395.36	12-kW 500-mm Replacement Tank Assembly 400V
	SP-TA-CP-500-12-380	353.00	395.36	12-kW 500-mm Replacement Tank Assembly 380V
	SP-TA-CP-500-12-415	353.00	395.36	12-kW 500-mm Replacement Tank Assembly 415V
45-kW	SP-TA-CP-500-15	407.25	450.08	15-kW 500-mm Replacement Tank Assembly 400V
	SP-TA-CP-500-15-380	407.25	450.08	15-kW 500-mm Replacement Tank Assembly 380V
	SP-TA-CP-500-15-415	407.25	450.08	15-kW 500-mm Replacement Tank Assembly 415V
54-kW	SP-TA-CP-500-18	412.25	461.72	18-kW 500-mm Replacement Tank Assembly 400V
	SP-TA-CP-500-18-380	412.25	461.72	18-kW 500-mm Replacement Tank Assembly 380V
	SP-TA-CP-500-18-415	412.25	461.72	18-kW 500-mm Replacement Tank Assembly 415V
60-kW	SP-TA-CP-500-20	581.25	651.08	20-kW 500-mm Replacement Tank Assembly 400V
	SP-TA-CP-500-20-380	581.25	651.08	20-kW 500-mm Replacement Tank Assembly 380V
	SP-TA-CP-500-20-415	581.25	651.08	20-kW 500-mm Replacement Tank Assembly 415V
72-kW	SP-TA-CP-500-24	592.75	663.88	24-kW 500-mm Replacement Tank Assembly 400V
	SP-TA-CP-500-24-380	592.75	663.88	24-kW 500-mm Replacement Tank Assembly 380V
	SP-TA-CP-500-24-415	592.75	663.88	24-kW 500-mm Replacement Tank Assembly 415V
90-kW	SP-TA-CP-500-30	697.50	770.08	30-kW 500-mm Replacement Tank Assembly 400V
	SP-TA-CP-500-30-380	697.50	770.08	30-kW 500-mm Replacement Tank Assembly 380V
	SP-TA-CP-500-30-415	697.50	770.08	30-kW 500-mm Replacement Tank Assembly 415V
120-kW	SP-TA-CP-843-40	701.00	785.12	40-kW 843-mm Replacement Tank Assembly 400V
	SP-TA-CP-843-40-380	701.00	785.12	40-kW 843-mm Replacement Tank Assembly 380V
	SP-TA-CP-843-40-415	701.00	785.12	40-kW 843-mm Replacement Tank Assembly 415V
220-240V 3-Phase Power Output:	Titanium Flow Tube with Titanium Heating Element Part Code:	GBP RRP (£)	EUR RRP (€)	Description:
20-kW	SP-TA-CP-500-6	330.75	370.44	6-kW 500-mm Replacement Tank Assembly
24-kW	SP-TA-CP-500-8	342.75	383.88	8-kW 500-mm Replacement Tank Assembly
30-kW	SP-TA-CP-500-10	348.50	390.32	10-kW 500-mm Replacement Tank Assembly
36-kW	SP-TA-CP-500-12	353.00	395.36	12-kW 500-mm Replacement Tank Assembly
45-kW	SP-TA-CP-500-15	567.50	635.60	15-kW 500-mm Replacement Tank Assembly
54-kW	SP-TA-CP-500-18	579.75	649.32	18-kW 500-mm Replacement Tank Assembly
60-kW	SP-TA-CP-500-20	690.50	739.76	20-kW 500-mm Replacement Tank Assembly
72-kW	SP-TA-CP-843-24	674.00	754.88	24-kW 843-mm Replacement Tank Assembly
90-kW	SP-TA-CP-843-30	697.50	770.00	30-kW 843-mm Replacement Tank Assembly

Table 2. Replacement heating elements

380-440V 3-Phase Power Output:	Titanium Heating Element Code:	Part	GBP RRP (£)	EUR RRP (€)	Pos./Unit	Description:
18-kW	SP-EL-TI2.8KW7T		119.00	133.28	6	2.8-kW Replacement Heating Element Kit
24-kW	SP-EL-T4KW7T		122.45	137.14	6	4-kW Replacement Heating Element Kit
30-kW	SP-EL-T5KW7T		134.25	150.36	6	5-kW Replacement Heating Element Kit
36-kW	SP-EL-T6KW7T		134.25	150.36	6	6-kW Replacement Heating Element Kit
45-kW	SP-EL-T5KW7T		129.50	145.04	9	5-kW Replacement Heating Element Kit
54-kW	SP-EL-T6KW7T		134.25	150.36	9	6-kW Replacement Heating Element Kit
60-kW	SP-EL-T6.7KW7T		140.00	156.80	9	6.7-kW Replacement Heating Element Kit
72-kW	SP-EL-T8KW7T		144.50	161.84	9	8-kW Replacement Heating Element Kit
96-kW	SP-EL-T8KW7T		144.50	161.84	12	8-kW Replacement Heating Element Kit
120-kW	SP-EL-T8KW7T		144.50	161.84	15	8-kW Replacement Heating Element Kit
220-240V 3-Phase Power Output:	Titanium Heating Element Code:	Part	GBP RRP (£)	EUR RRP (€)	Pos./Unit	Description:
18-kW	SP-EL-TI2.8KW7T		119.00	133.28	6	2.8-kW Replacement Heating Element Kit
24-kW	SP-EL-T4KW7T		122.45	137.14	6	4-kW Replacement Heating Element Kit
30-kW	SP-EL-T5KW7T		134.25	150.36	6	5-kW Replacement Heating Element Kit
36-kW	SP-EL-T6KW7T		134.25	150.36	6	6-kW Replacement Heating Element Kit
45-kW	SP-EL-T5KW7T		129.50	145.04	9	5-kW Replacement Heating Element Kit
54-kW	SP-EL-T6KW7T		134.25	150.36	9	6-kW Replacement Heating Element Kit
60-kW	SP-EL-T5KW7T		129.50	145.04	12	5-kW Replacement Heating Element Kit
72-kW	SP-EL-T6KW7T		134.25	150.36	12	6-kW Replacement Heating Element Kit
90-kW	SP-EL-T6KW7T		134.25	150.36	15	6-kW Replacement Heating Element Kit

380-440V 3-Phase Power Output:	Titanium Flow Tube Part Code:	GBP RRP (£)	EUR RRP (€)	Description:
18-kW	X-TUB-7500-2E-C	250.25	265.26	380-mm Replacement-SFS Flow Tube
24-kW				
30-kW				
36-kW				
45-kW				
54-kW	X-TUB-7500-4E-C	250.25	265.26	380-mm Replacement-SFS Flow Tube
60-kW	X-TUB-TI500-3E-C	150.25	168.28	
72-kW	X-TUB-TI843-4E-C	267.00	299.04	
96-kW	X-TUB-TI843-5E-C	267.00	299.04	
120-kW	X-TUB-TI843-5E-C	267.00	299.04	
220-240V 3-Phase Power Output:	Titanium Flow Tube Part Code:	GBP RRP (£)	EUR RRP (€)	Description:
18-kW	X-TUB-7500-2E-C	250.25	265.26	380-mm Replacement-SFS Flow Tube
24-kW				
30-kW				
36-kW				
45-kW				
54-kW	X-TUB-7500-4E-C	150.25	168.28	380-mm Replacement-SFS Flow Tube
60-kW	X-TUB-TI843-4E-C	267.00	299.04	
72-kW	X-TUB-TI843-4E-C	267.00	299.04	
90-kW	X-TUB-TI843-5E-C	267.00	299.04	
90-kW	X-TUB-TI843-5E-C	267.00	299.04	

Table 4. Replacement Timers

380-440V 3-Phase Power Output:	Pcs/Unit:	Product Code:	Description:	GBP RRP (£)	EUR RRP (€)
18-kW	2	Z-OM-TIM	OMRON Delay Timer	56.25	65.24
24-kW	2				
30-kW	2				
36-kW	2				
45-kW	3				
54-kW	3				
60-kW	3				
72-kW	3				
96-kW	4				
120-kW	5				
220-240V 3-Phase Power Output:	Pcs/Unit:	Product Code:	Description:	GBP RRP (£)	EUR RRP (€)
18-kW	2	Z-OM-TIM	OMRON Delay Timer	56.25	65.24
24-kW	2				
30-kW	2				
36-kW	2				
45-kW	3				
54-kW	3				
60-kW	4				
72-kW	4				
90-kW	5				

Table 5. Replacement Contactors

380-440V 3-Phase Power Output:	Pcs/Unit:	Product Code:	Description:	GBP RRP (£)	EUR RRP (€)				
18-kW	4	Z-SIE-2023-40A	SIEMENS Contactor 2023 40Amp AC1	67.75	75.88				
24-kW	4								
30-kW	4								
36-kW	4								
45-kW	6								
54-kW	6								
60-kW	6	Z-SIE-2027-50A	SIEMENS Contactor 2027 50Amp AC1	294.00	330.00				
72-kW	6								
96-kW	8								
120-kW	10								
220-240V 3-Phase Power Output:	Pcs/Unit:					Product Code:	Description:	GBP RRP (£)	EUR RRP (€)
18-kW	4					Z-SIE-2027-50A	SIEMENS Contactor 2027 50Amp AC1	294.00	330.00
24-kW	4								
30-kW	4								
36-kW	4								
45-kW	6								
54-kW	6								
60-kW	8								
72-kW	8								
90-kW	10								



Improving pools *globally*

11 Gunnels Wood Park, Gunnels Wood Road,
Stevenage, Hertfordshire, SG1 2BH, UK

Tel: +44 1438 749 474

Email: sales@elecra.co.uk

Web: www.elecra.co.uk

We reserve the right to change all or part of the features of the articles
or contents of this document, without prior notice.

SPL181-EN-SFS Spare Parts List V1-01.01.2020-Elecra