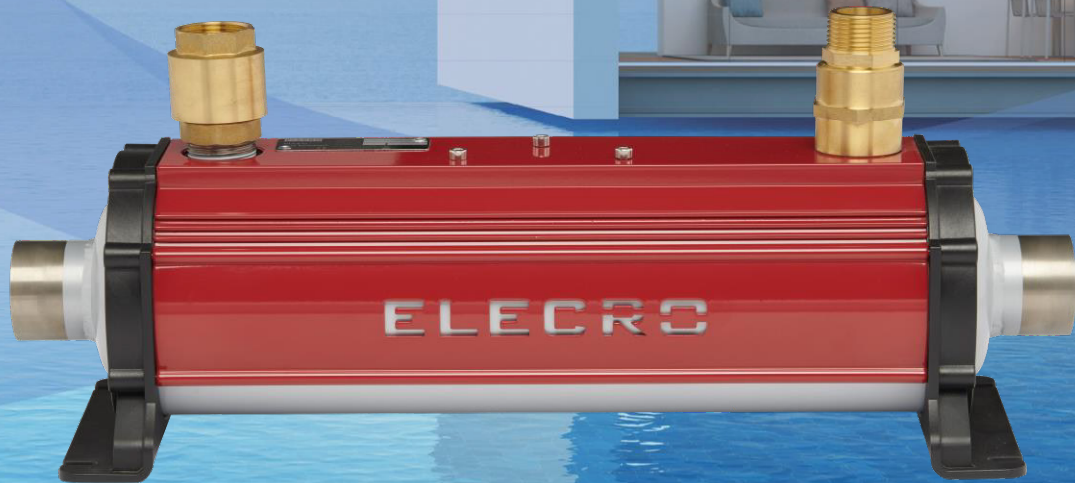
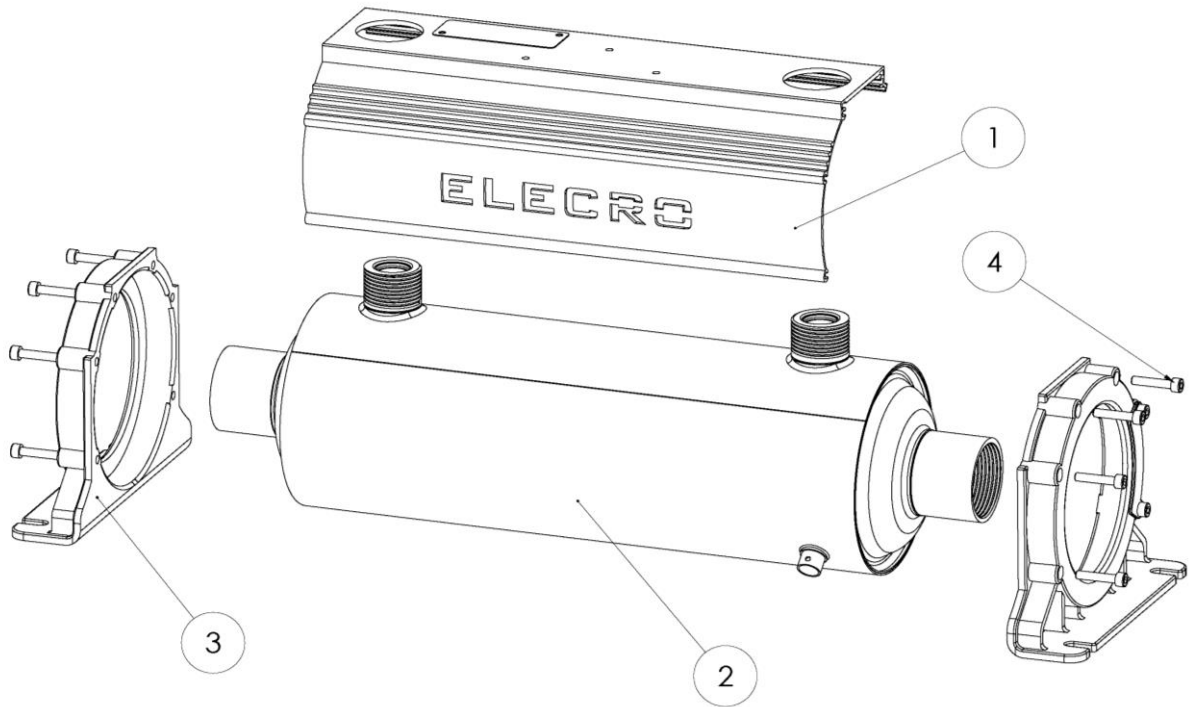


Escalade

SPARE PART LISTS



Escalade



Item No.:	Description:	Pcs/Unit:	Product Code			GBP RRP (£)		
			WHE-30	WHE-40	WHE-75	WHE-30	WHE-40	WHE-75
1	Welded H/E Extruded Shell	1	Z-SMW-WHE-318	Z-SMW-WHE-366	Z-SMW-WHE-610	28.00	31.00	40.00
2	Powder Coated Body of Titanium Welded H/E	1	X-WHE-30	X-WHE-40	X-WHE-75	350.00	420.00	500.00
3	Welded Heat Exchanger Foot Bracket	2	Z-IM-HE-W-F			13.50		
4	M5x30-mm S/S Socket Cap	8	Z-FIX-M5X30SC			5.25		

Item No.:	Description:	Pcs/Unit:	Product Code			EUR RRP (€)		
			WHE-30	WHE-40	WHE-75	WHE-30	WHE-40	WHE-75
1	Welded H/E Extruded Shell	1	Z-SMW-WHE-318	Z-SMW-WHE-366	Z-SMW-WHE-610	31.36	34.72	44.80
2	Powder Coated Body of Titanium Welded H/E	1	X-WHE-30	X-WHE-40	X-WHE-75	392.00	470.40	560.00
3	Welded Heat Exchanger Foot Bracket	2	Z-IM-HE-W-F			15.12		
4	M5x30-mm S/S Socket Cap	8	Z-FIX-M5X30SC			5.88		

The background of the page is a deep red color. A large, light-colored diagonal line runs from the top-left corner towards the bottom-right. In the lower-left quadrant, there is a semi-transparent image of a modern interior space, possibly a restaurant or lounge, featuring a dining table with chairs and a sofa, with their reflections visible in a pool of water in the foreground. The Elecro Engineering logo is positioned in the top right corner.

ELECRO
ENGINEERING

Improving pools *globally*

11 Gunnels Wood Park, Gunnels Wood Road,
Stevenage, Hertfordshire, SG1 2BH, UK

Tel: +44 1438 749 474

Email: sales@elecro.co.uk

Web: www.elecro.co.uk

We reserve the right to change all or part of the features of the articles
or contents of this document, without prior notice.

SPL1-EN-Escalade Spare Parts List V1-01.01.2020-Elecro
